

Mountain Top® Bed Divider

Installation manual

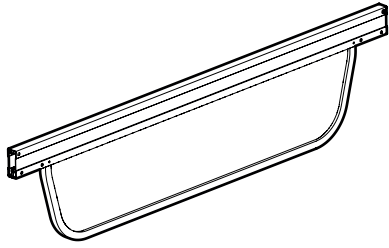


DOWNLOAD PDF



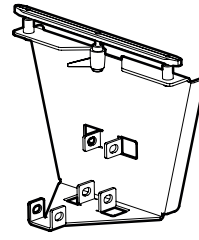
Parts

A



x 1

B

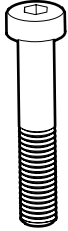


x 2



Kit

C



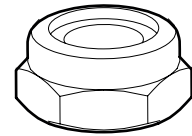
x 6

D



x 6

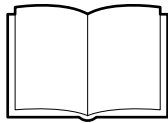
E



x 6



Manual(s)



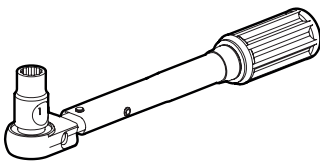
Installation manual

x 1

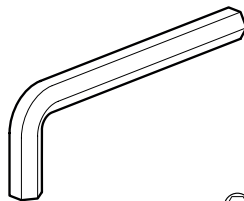


Tools and materials needed

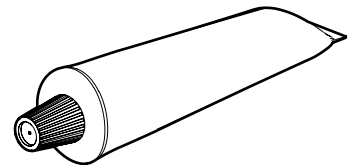
1 - 25 Nm



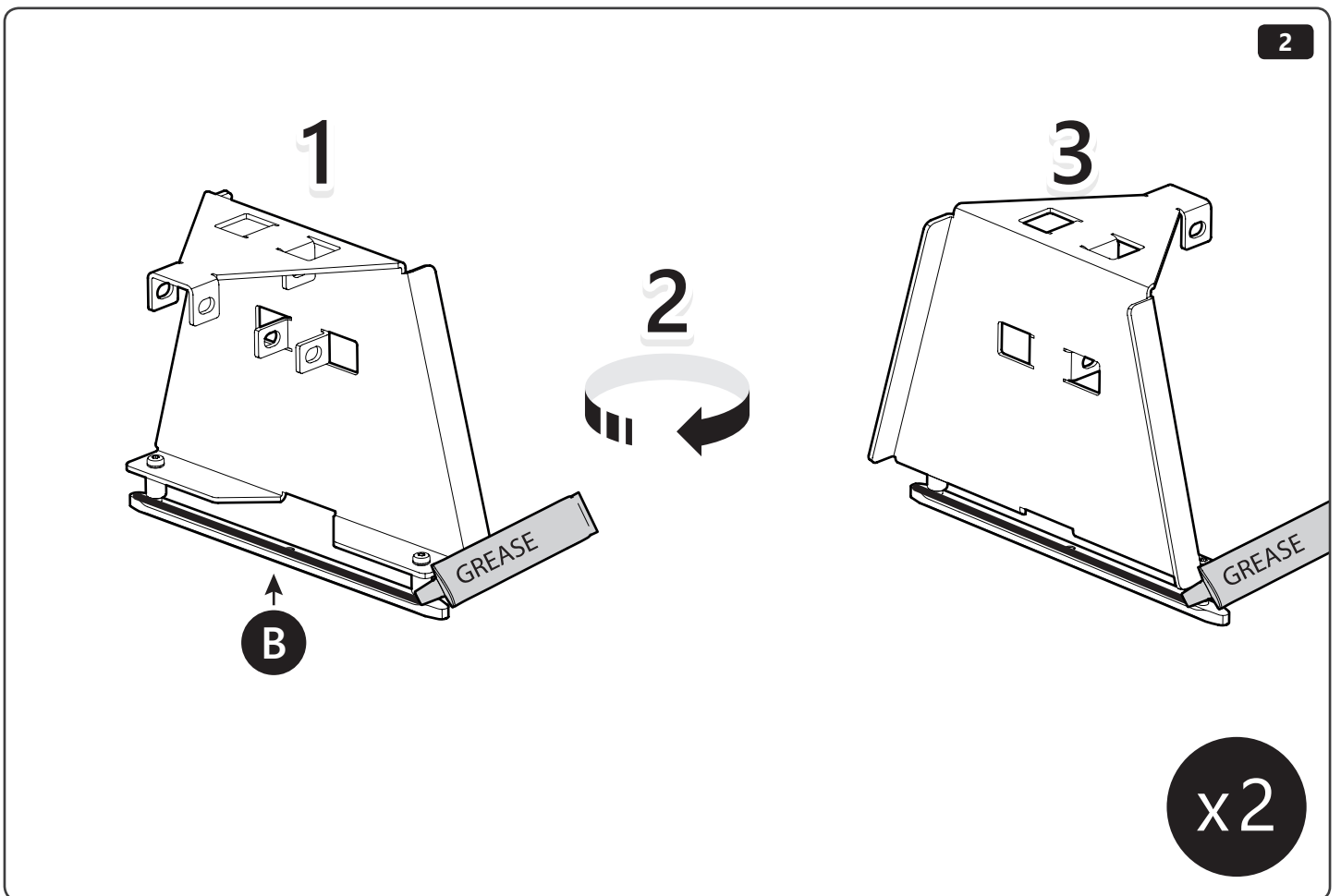
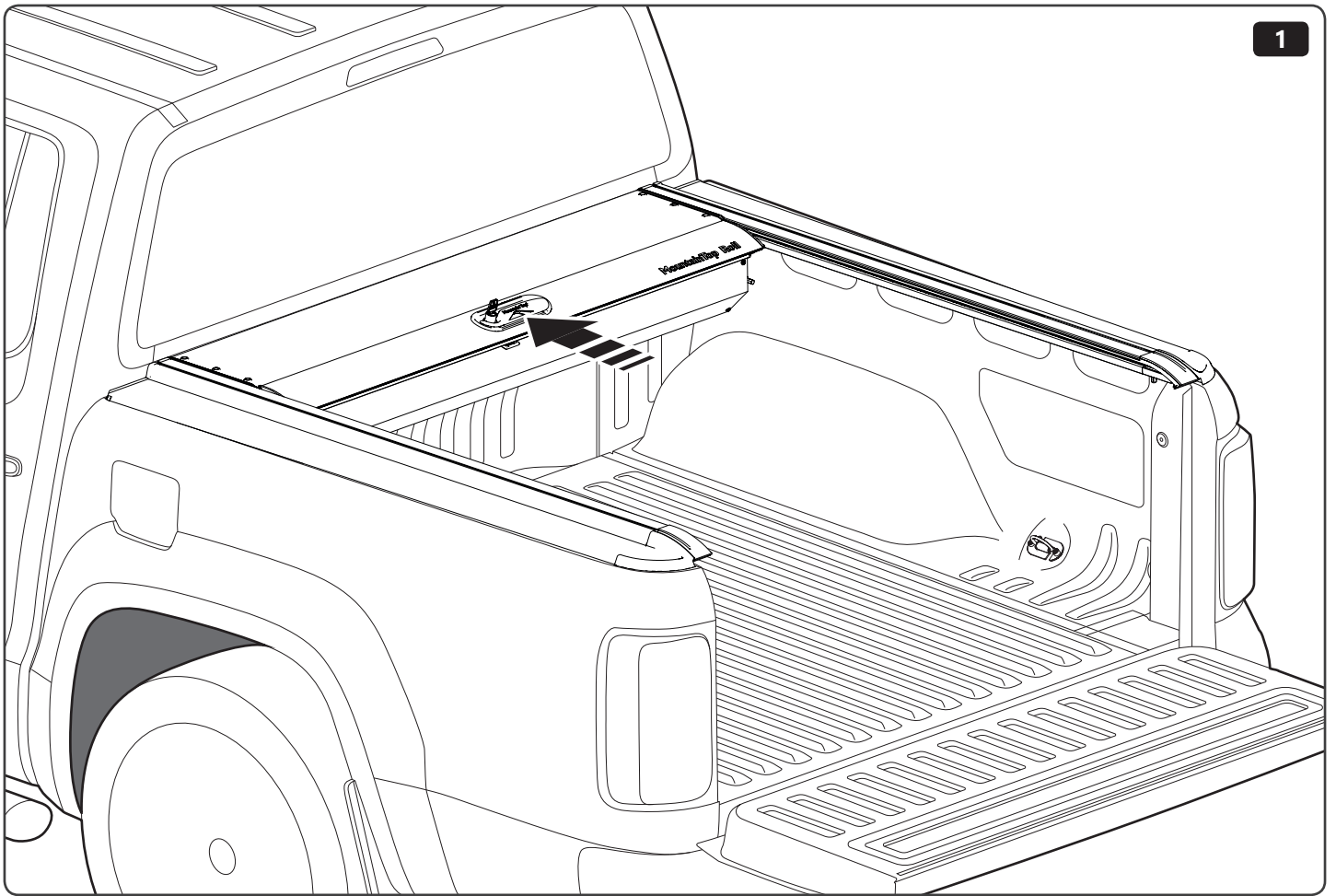
13 mm

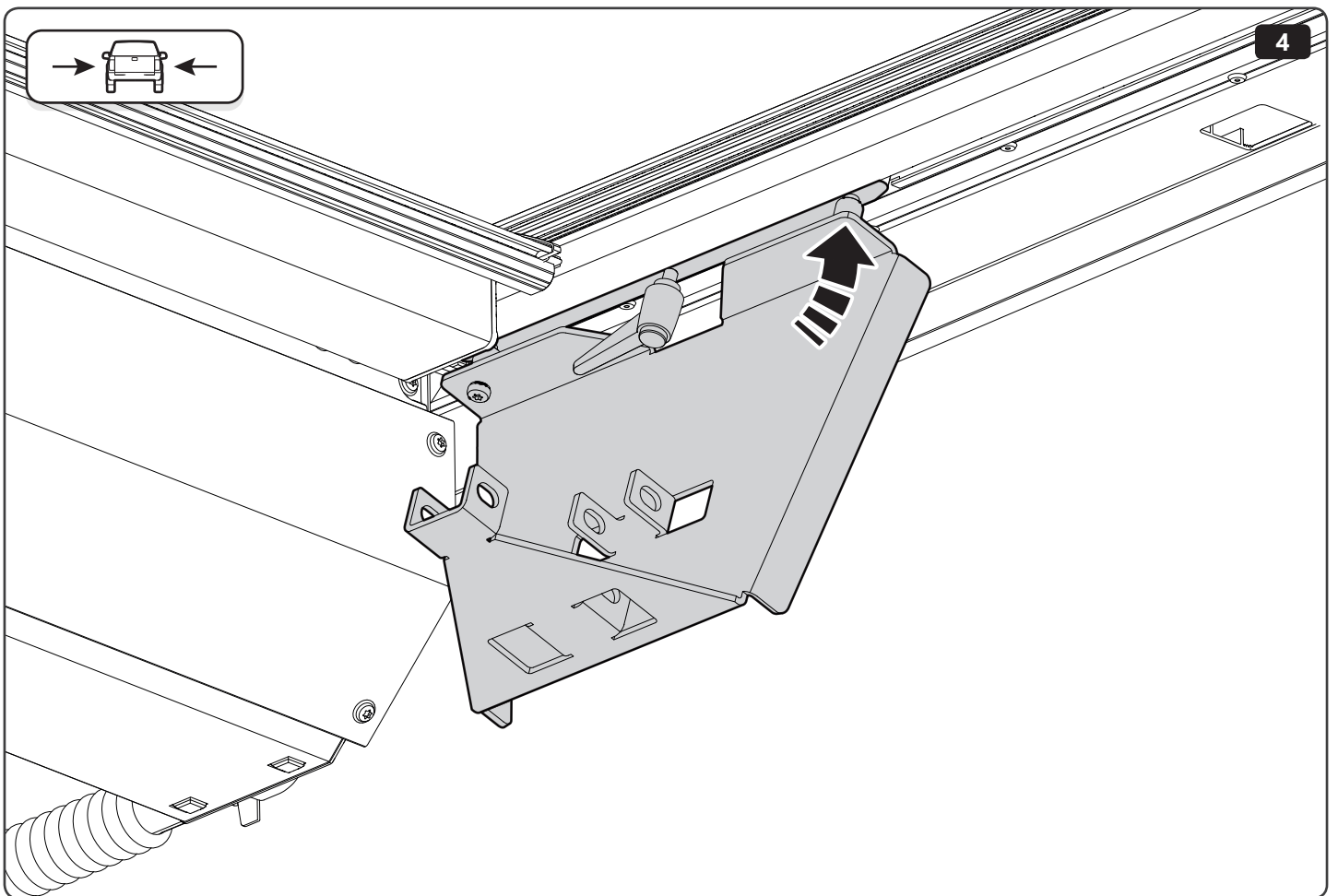
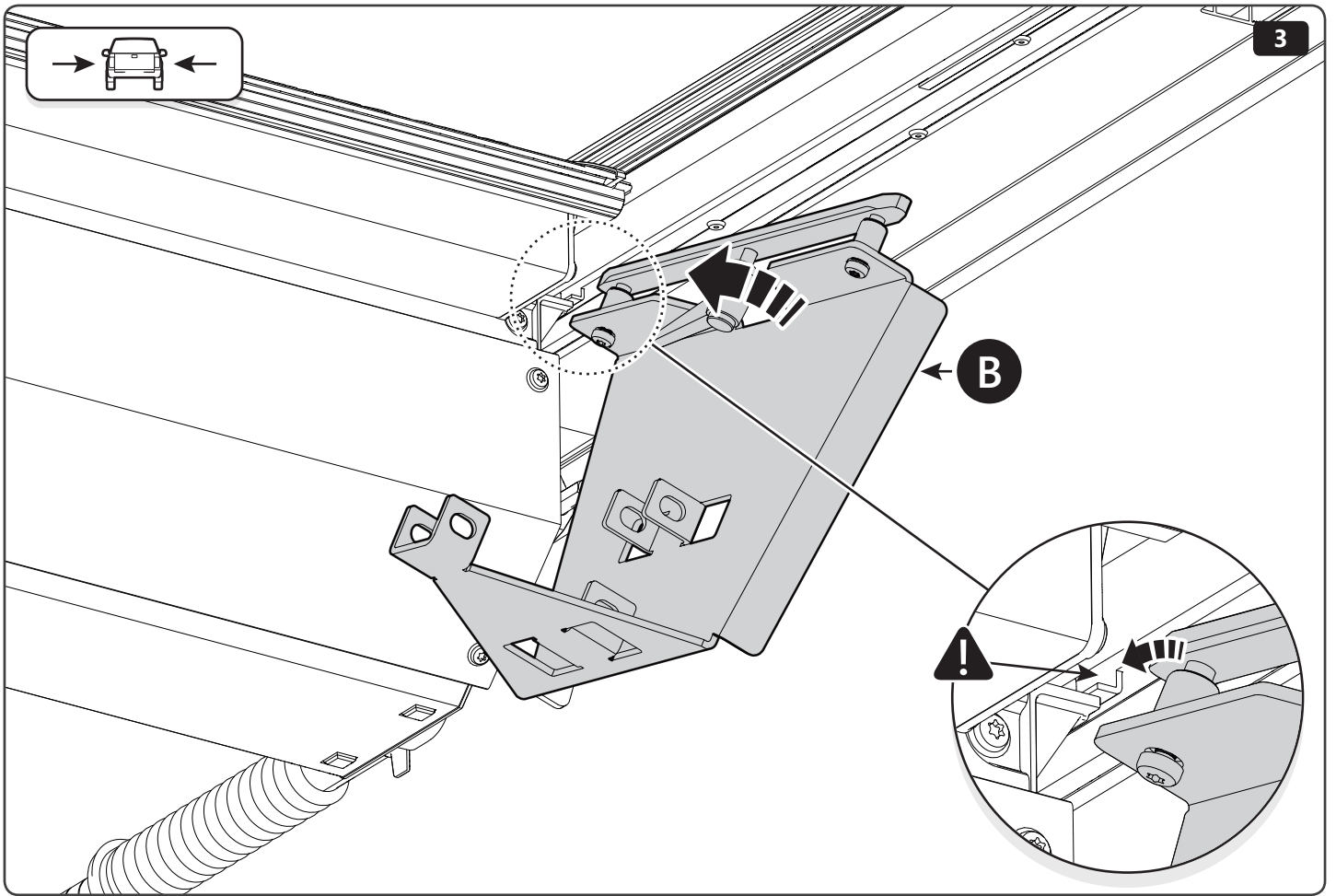


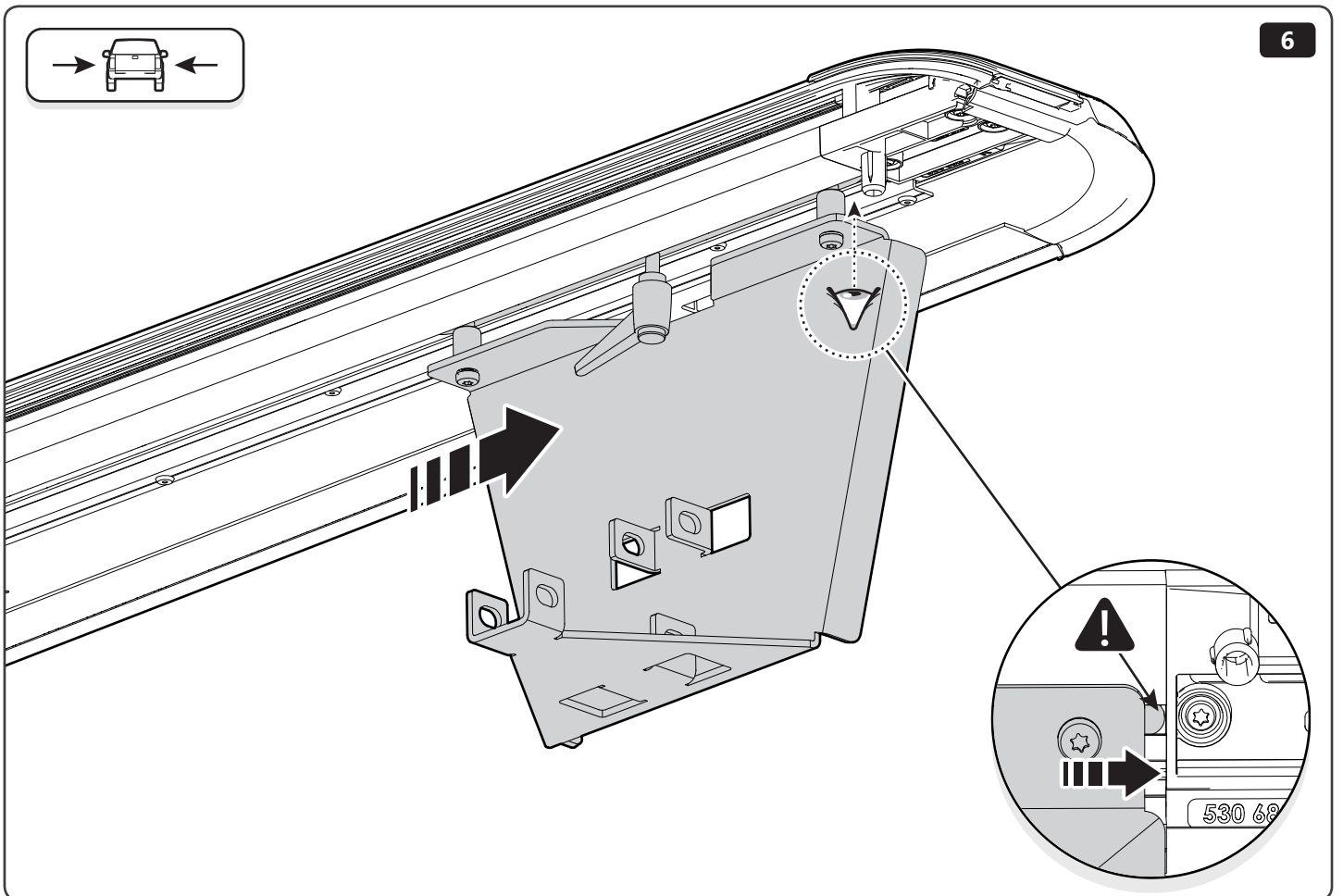
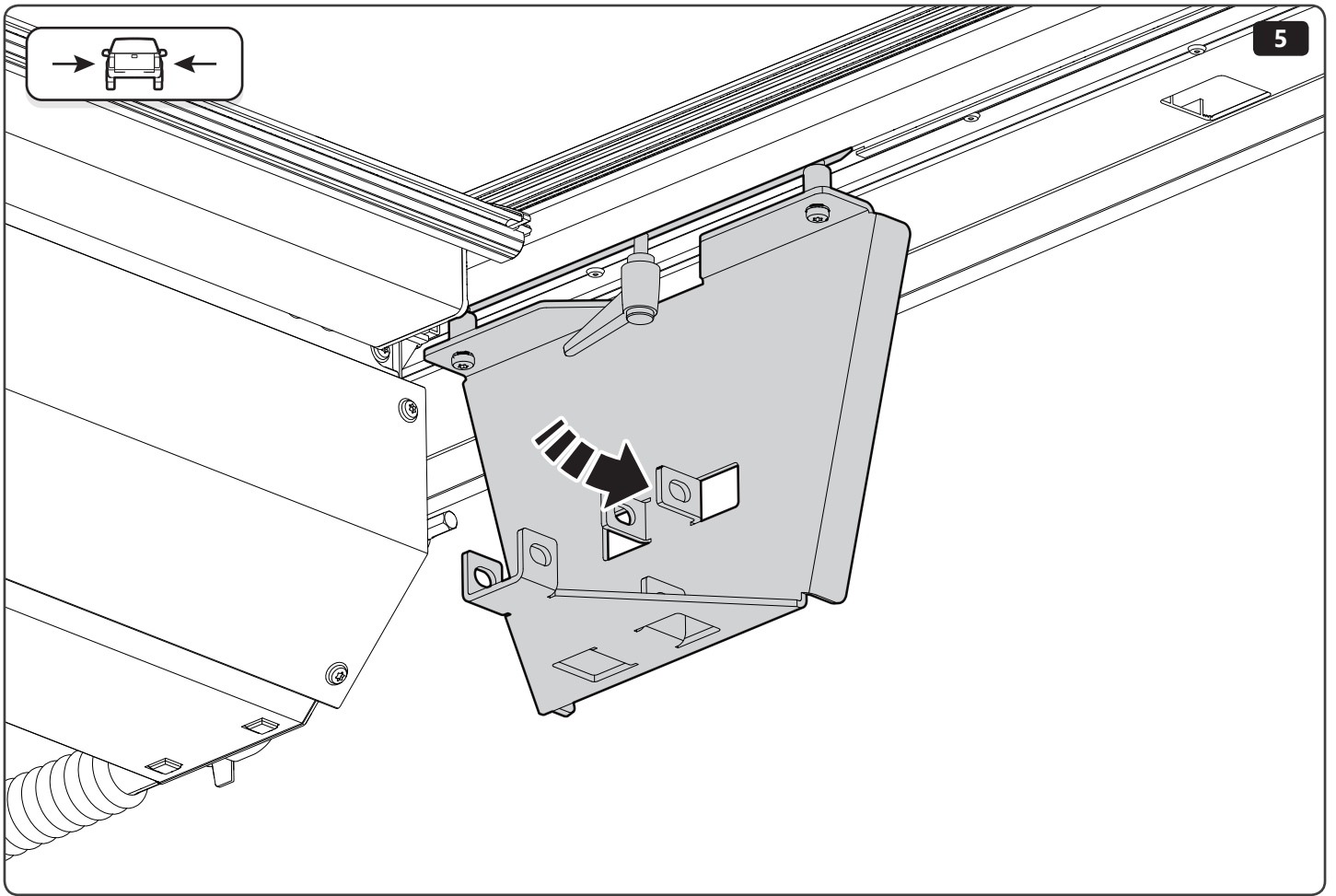
5 mm

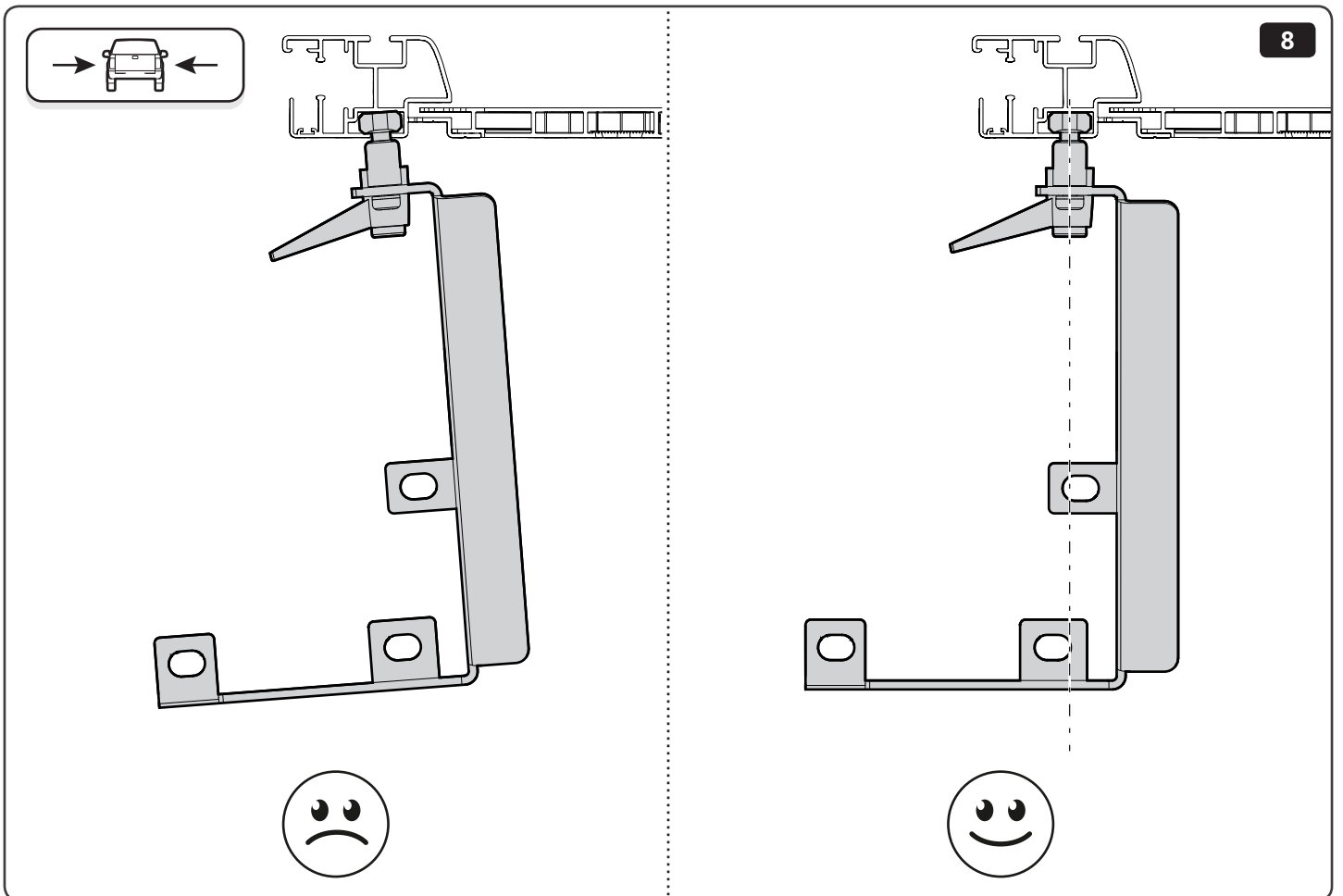
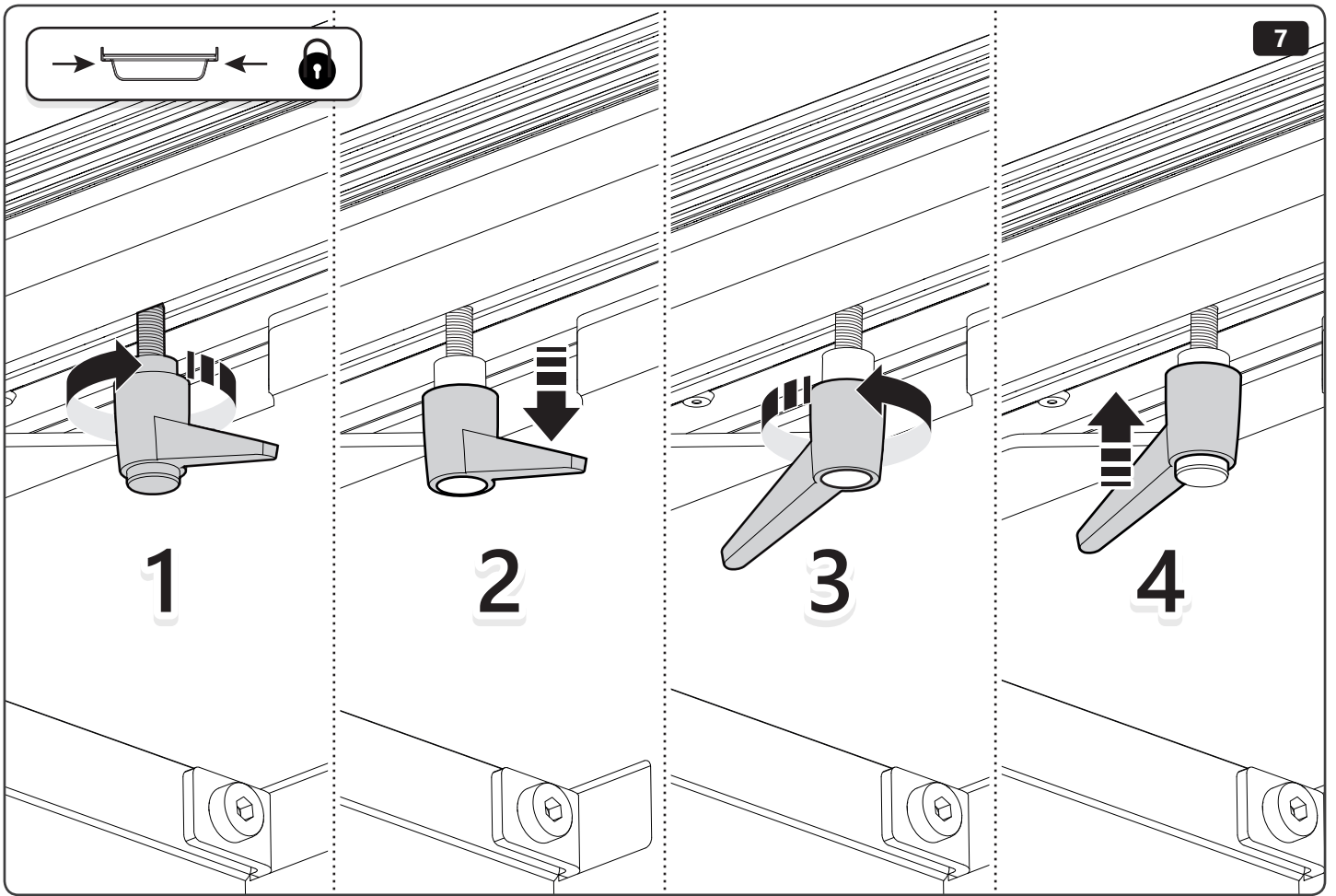


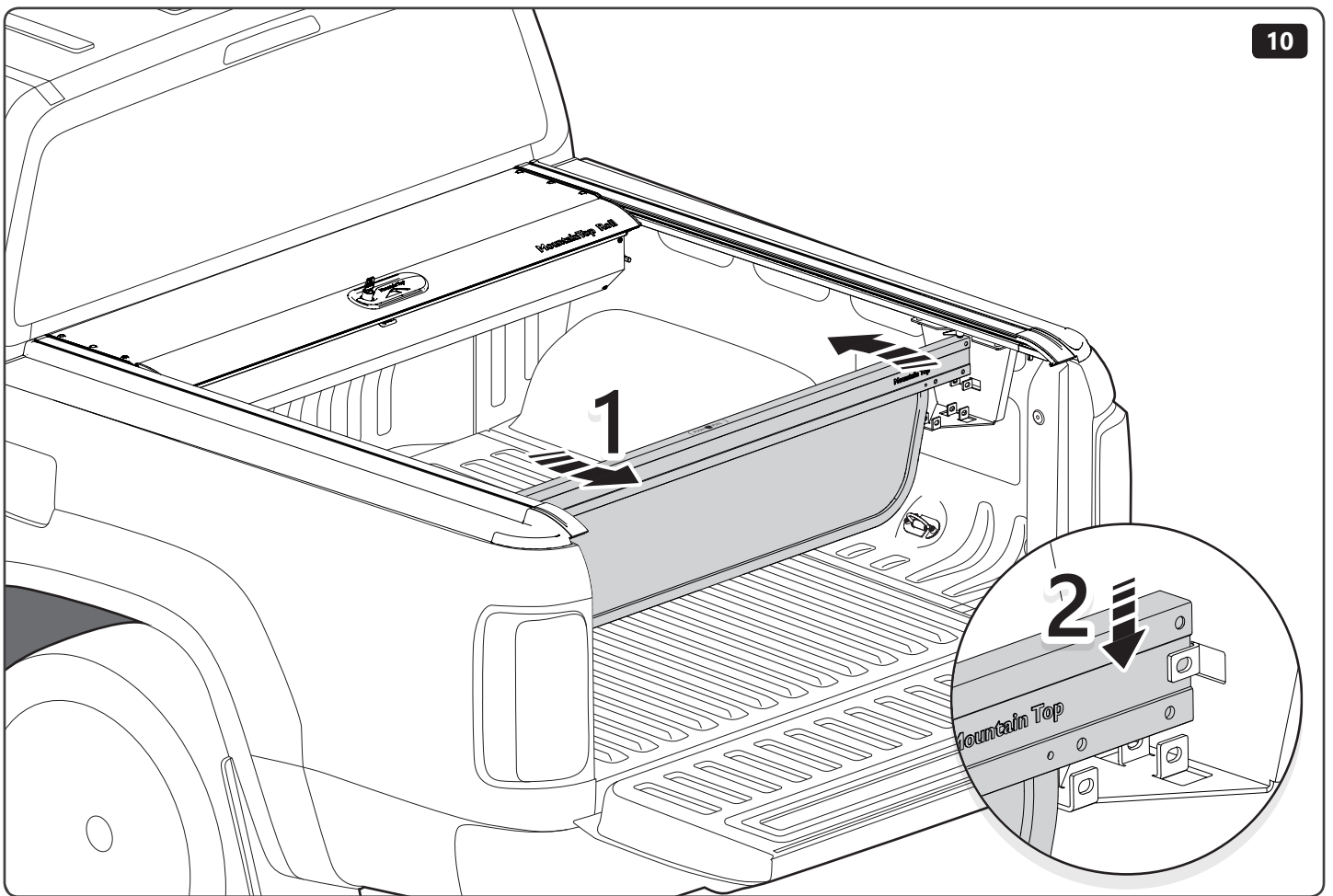
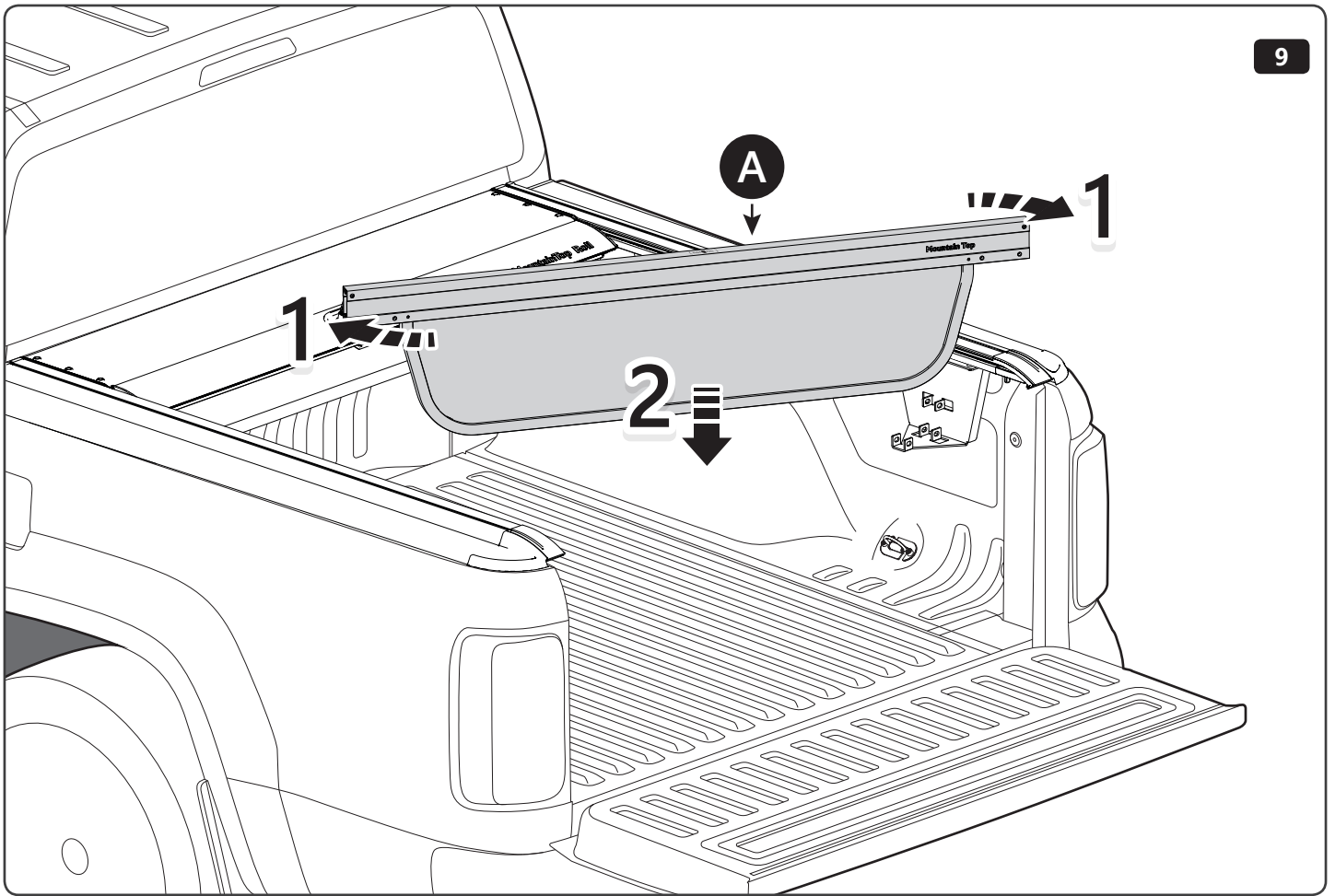
Grease

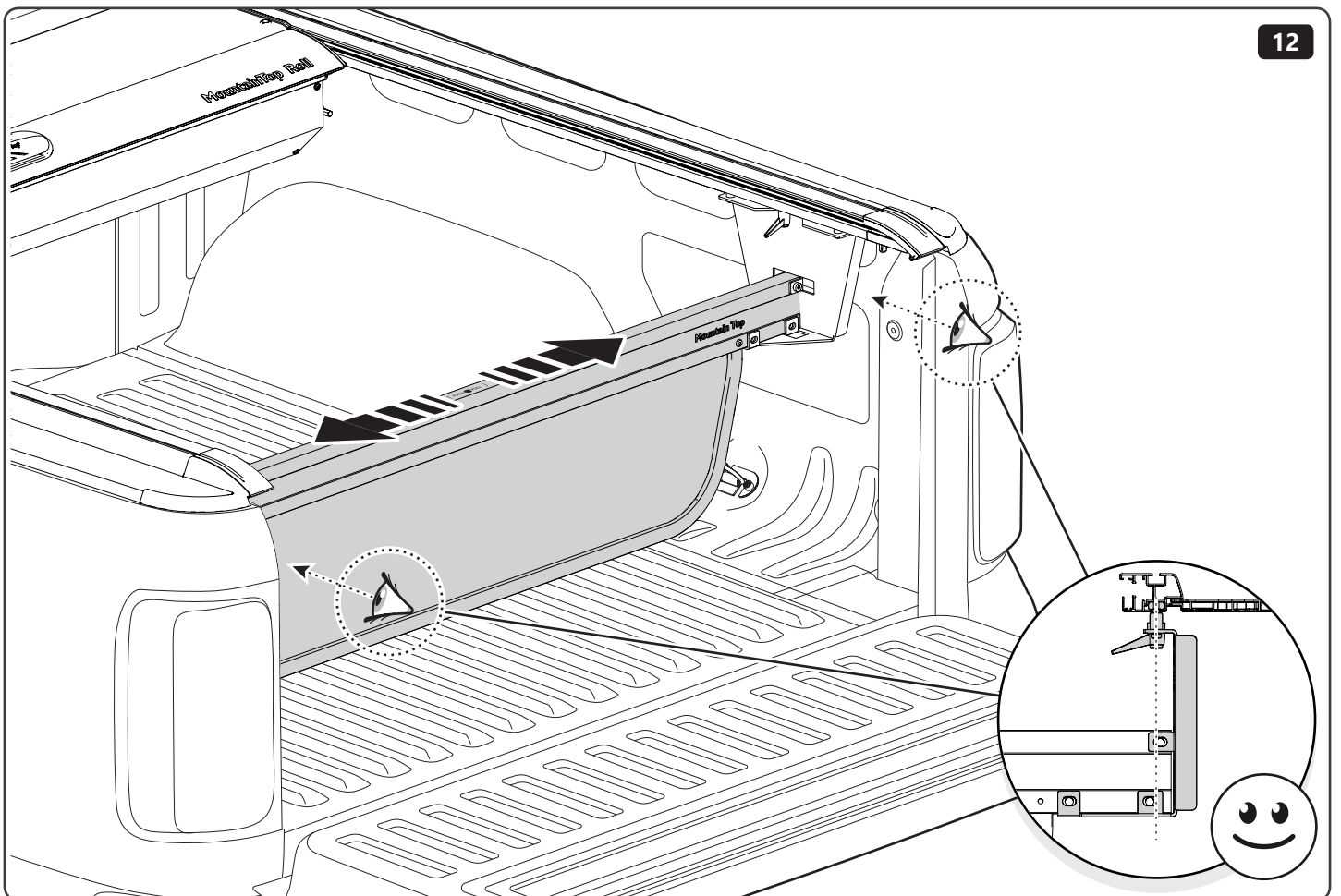
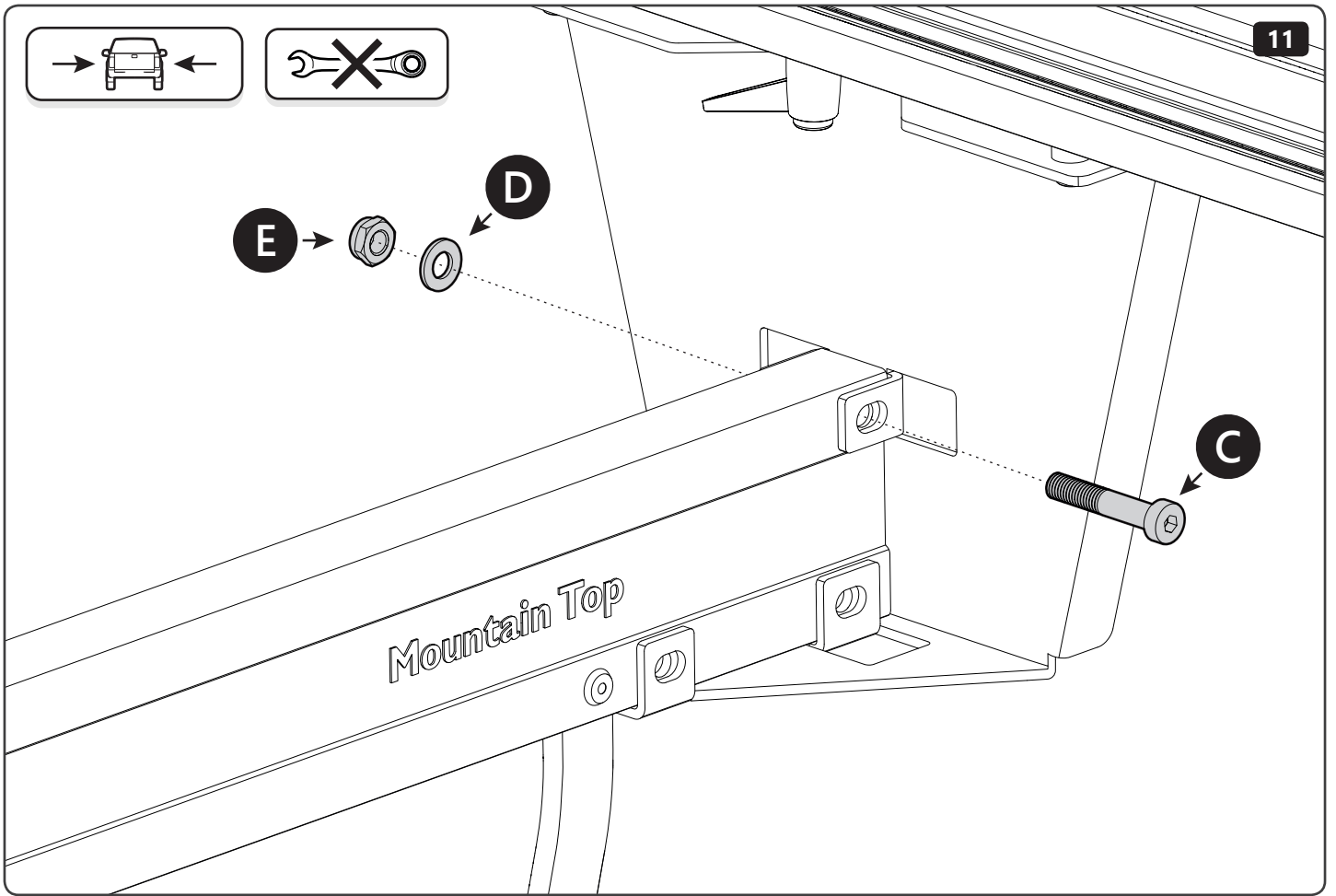


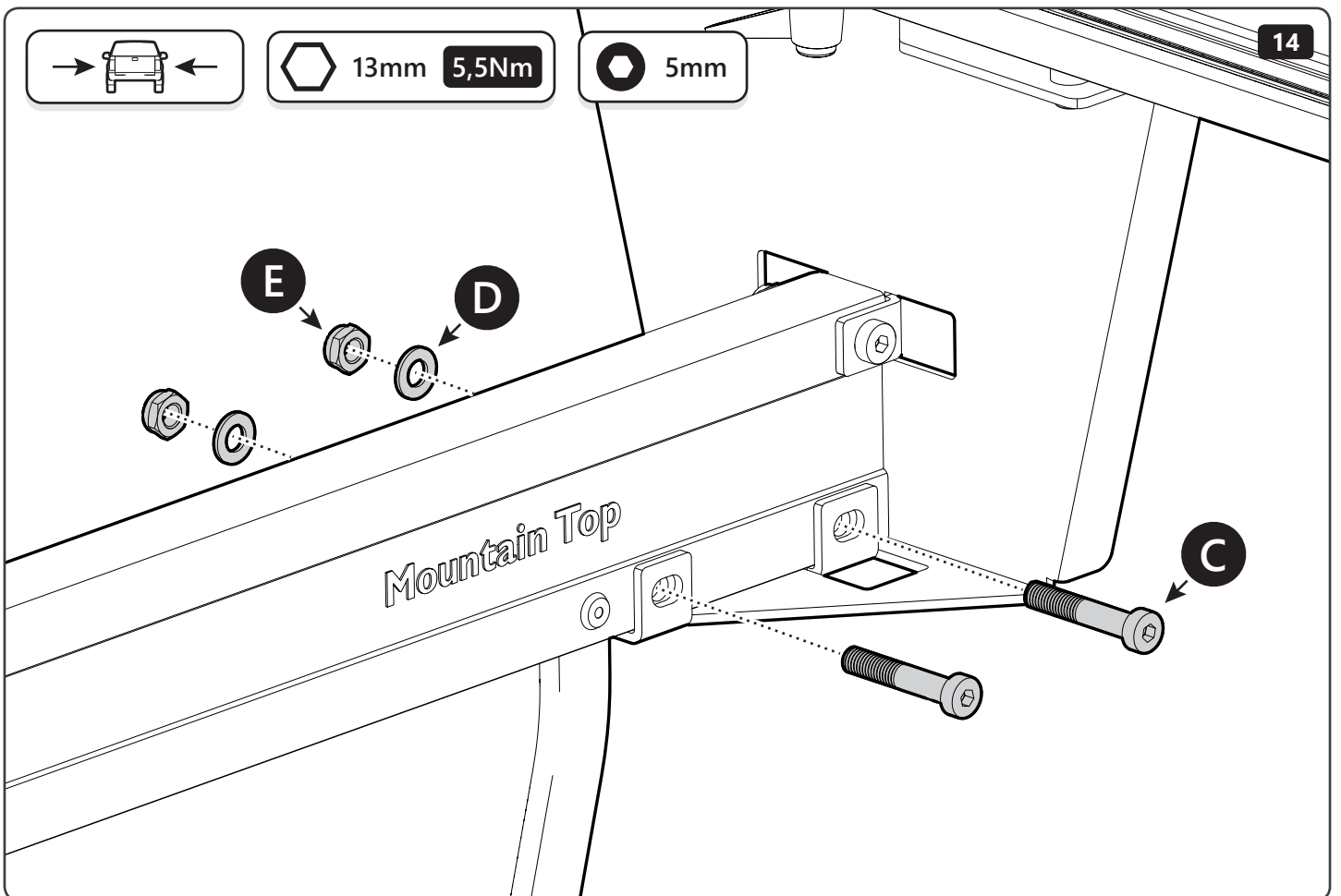
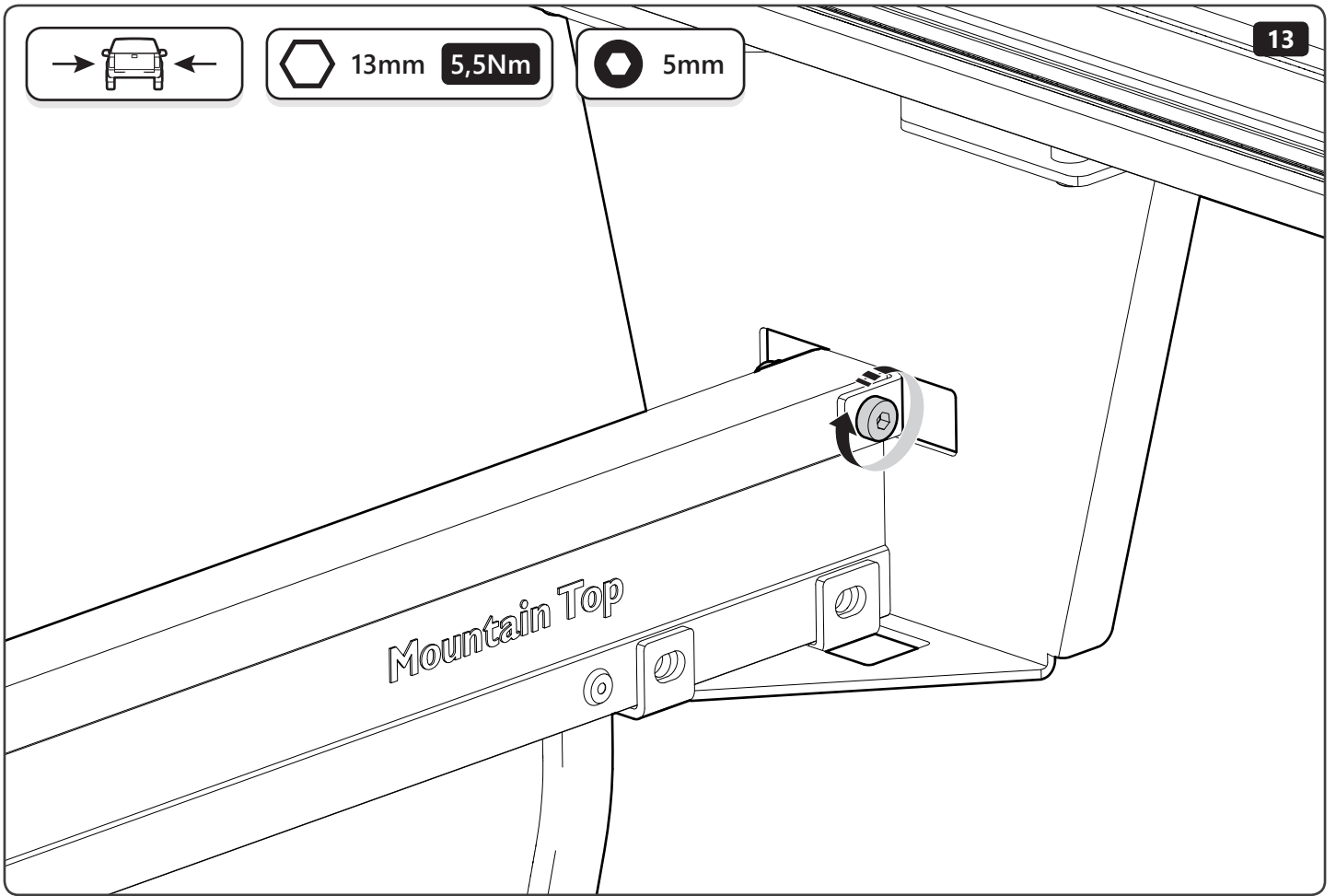


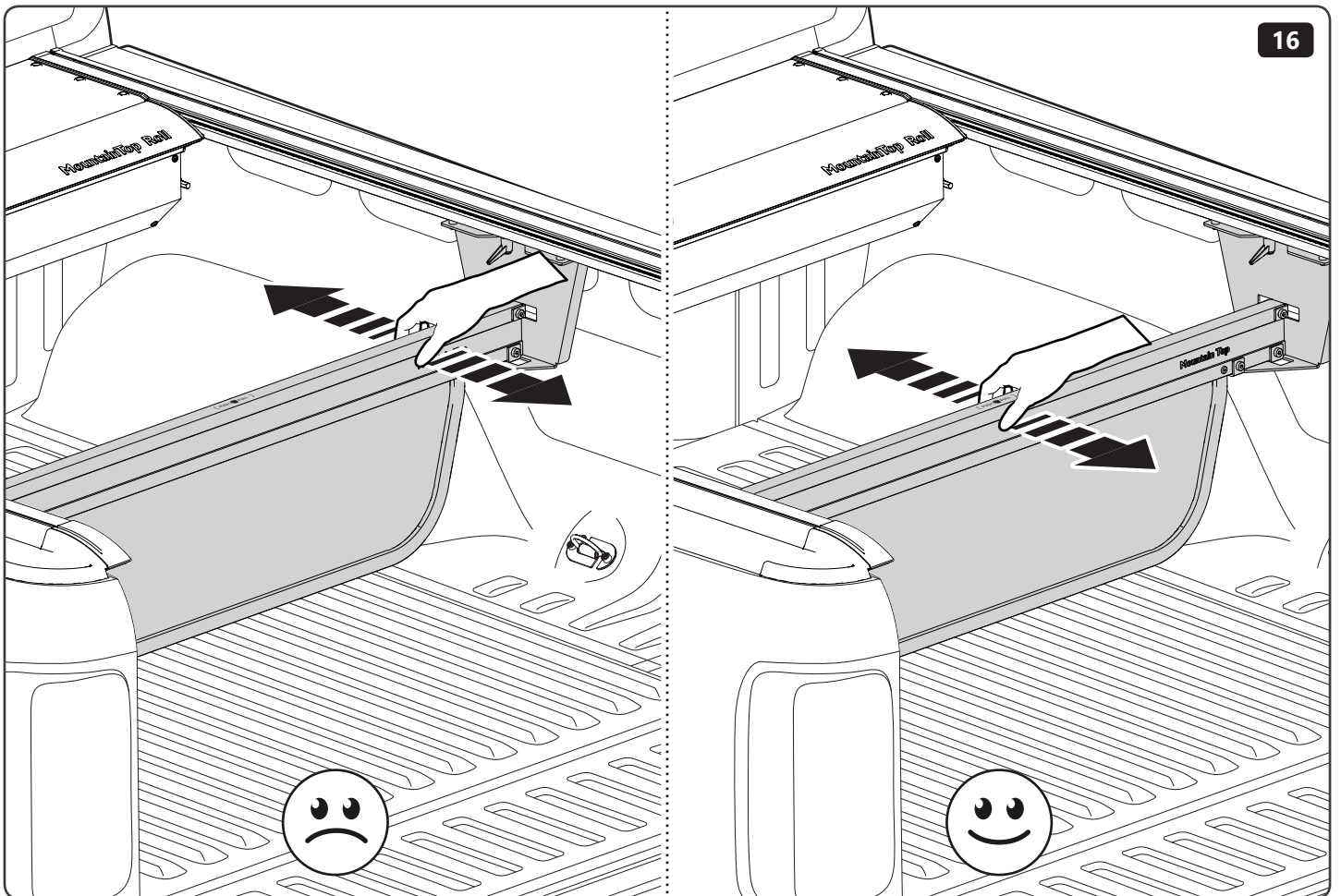
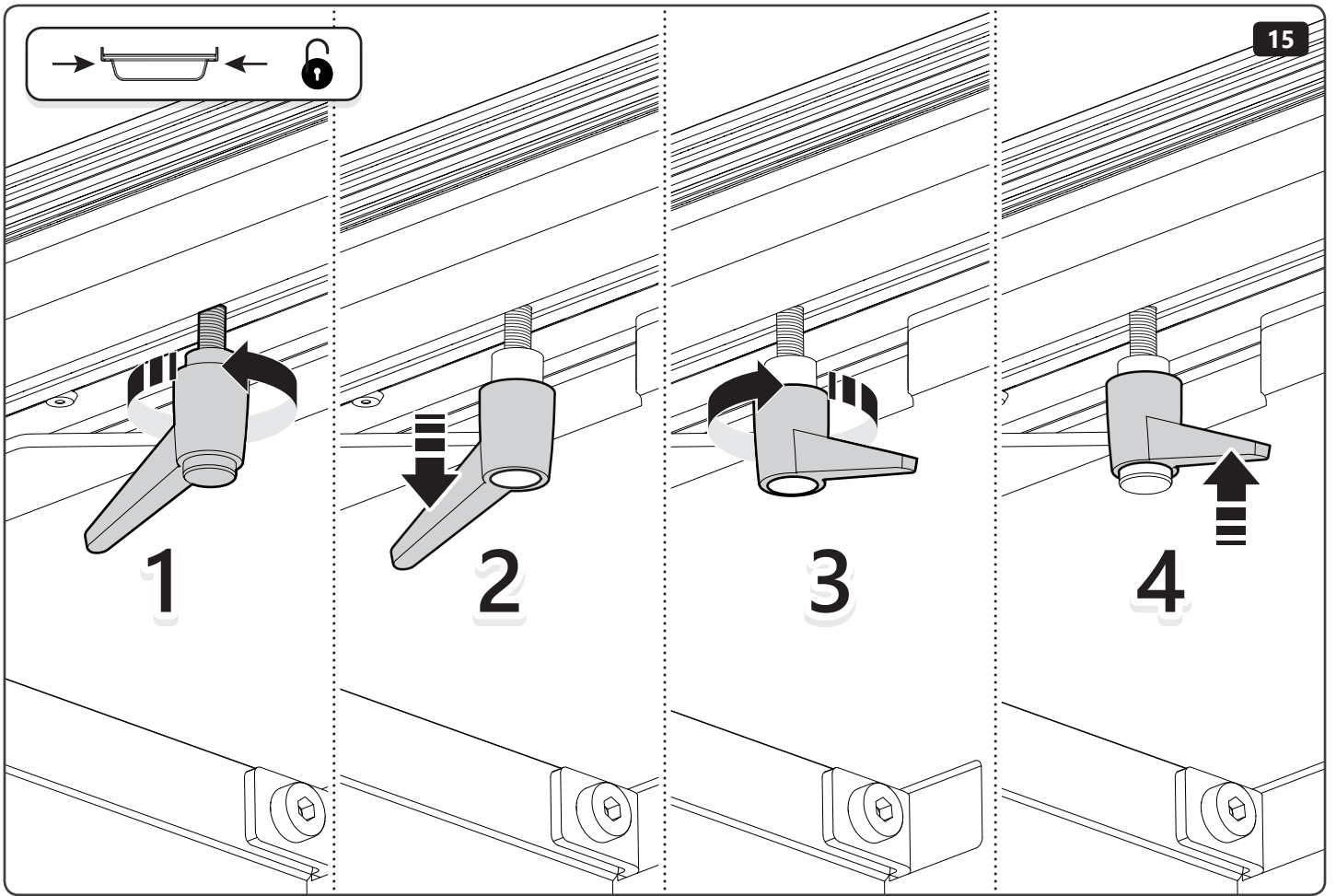


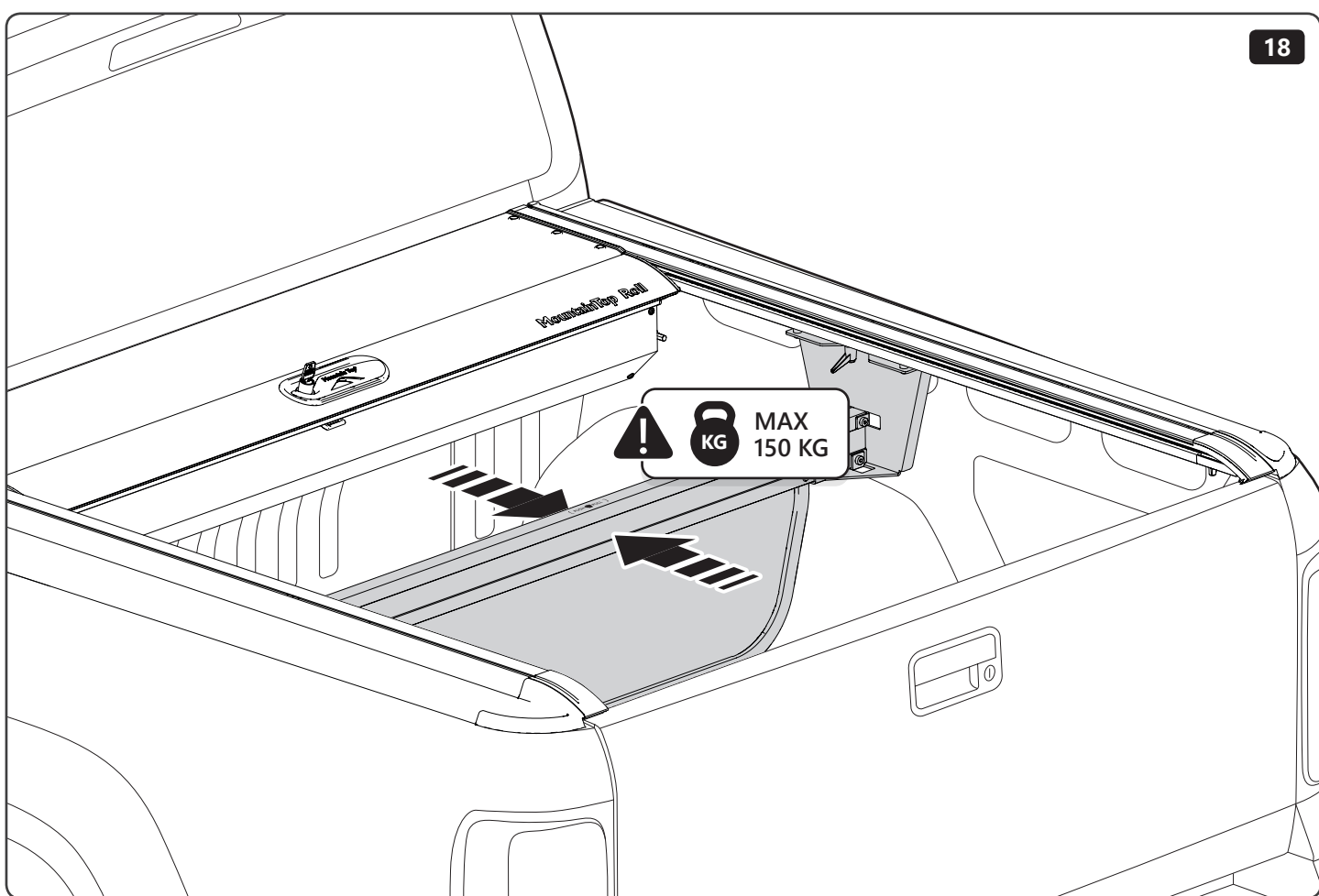
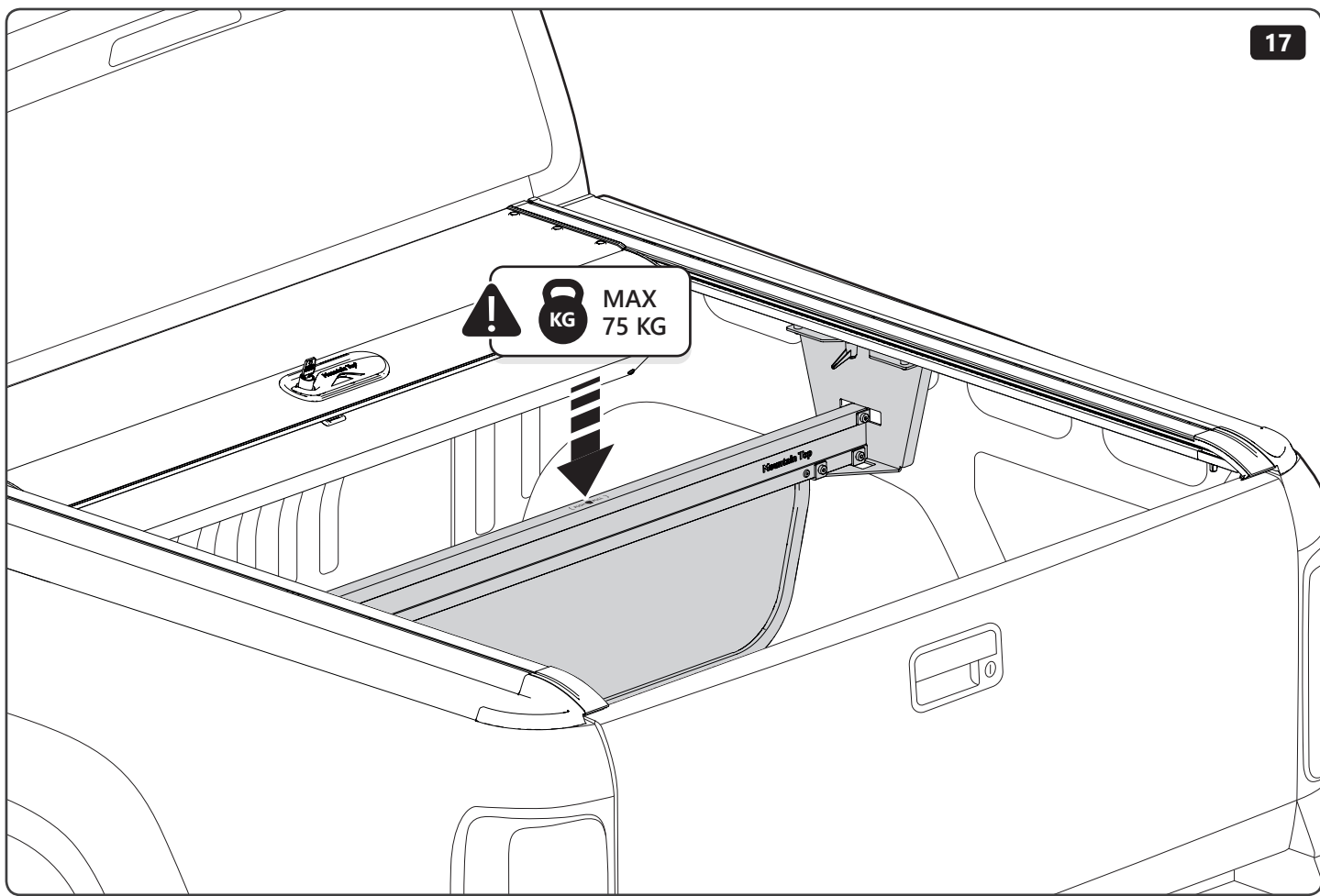














Customer Service +45 4810 2950 (08:00 - 16:00 CET)
Fax +45 4810 2960
Support info@mountaintop.dk
Website www.mountaintop.dk
Address Pedersholmparken 10, 3600 Frederikssund, Denmark

PART NUMBER(S)	MODEL / YEAR	CAB TYPE(S)	INSTALLATION TIME	WEIGHT
BD VW80 P01	Volkswagen Amarok / 2016 →	Double Cab	30 Minutes	5 Kg
BD SS90 P01	Ssangyong Actyon / 2018 →	Double Cab	30 Minutes	5 Kg

GB Installation manual	S Monteringsanvisning	D Einbauanleitung
SF Asennusohje	E Instrucciones de montaje	CZ Návod k instalaci
F Notice de montage	H Szerelési utasítás	I Istruzioni de montaggio
PL Instrukcja montażu	P Instruções de instalação	GR Οδηγίες Εγκατάστασης
NL Installatie-instructies	RUS Инструкция по установке	DK Monteringsvejledning
TR Montaj Talimatı	N Monteringsveiledning	RO Instructiuni de instalare